

DATASHEET

Fiber Optic Splice Closure-Horizontal type

Offer optical transmission link, to provide through, branching connection and related connecting protection.



OMC INDUSTRY CO.LIMITED

2018|En version1.0

What is Fiber Closure?

Fiber closure, also known as fiber optic splicing closures, is a device used to provide space and protection for fiber optic cables spliced together. The fiber optic closure connects and stores optical fibers safely either in the outside plant or indoor buildings. It can provide protection for the fiber joint and the fiber cables since they have excellent mechanical strength and strong out shell, which ensures the joints are not damaged by the hostile environment.

Types of Fiber Optic Closure

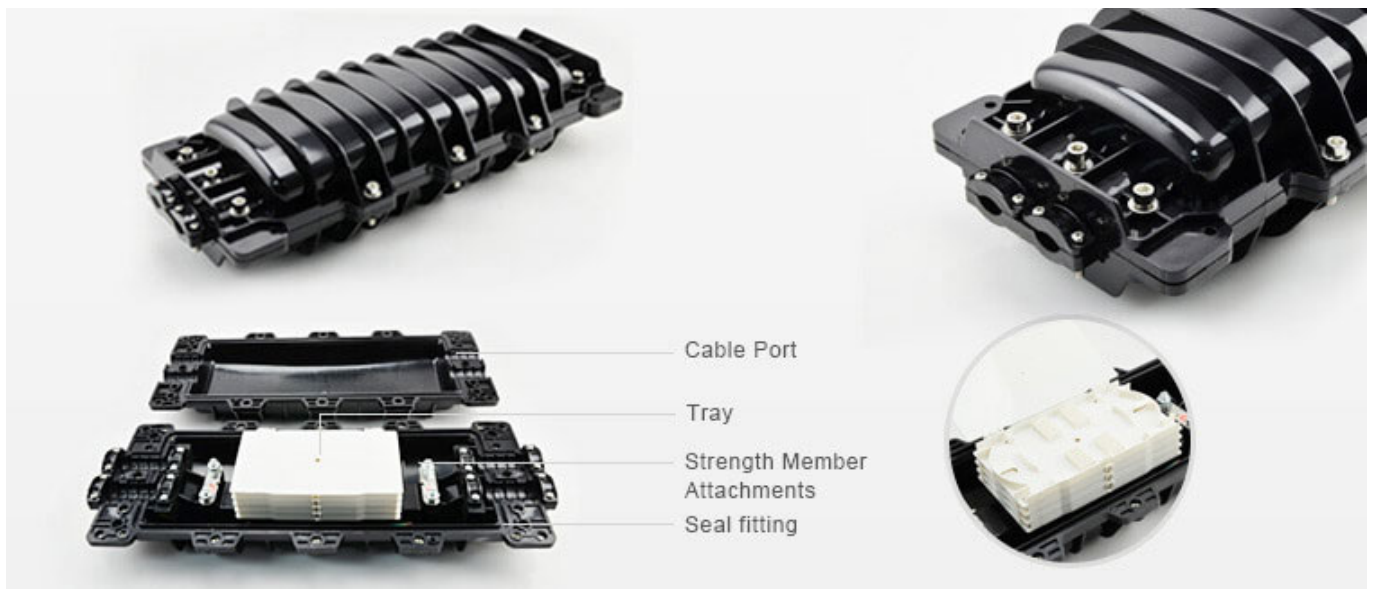
No matter the size, types, and configuration of your network, protecting the connectivity is what counts. According to different applications, there are various types of fiber optic closures in the market for users to choose from and help them protect their networks.

Horizontal Type Fiber Optic Closure

Horizontal type fiber closure has a flat or cylindrical outer housing to provide space and protection for fiber optic splices. It usually contains one or more fiber splice trays assembled to hold/protect optical fiber splices. The common fiber counts of per splice tray are 6, 12 and 24 fibers. So one fiber closure's splice capacity could cover a range of 6-288Fibers Totally.

They are commonly made of high tensile construction plastic, so they have good adaptability and compression resistance. At the same time, they have good waterproof and dustproof function. If attached to a pole or hung from wiring, these fiber splice closures need to be held firmly in place, to avoid damage from weather and wind. So This type of fiber splice closure is the most commonly used one in mounted aerials or buried underground.

The following picture shows a 96-fiber horizontal fiber optic splice closure. It has two input ports and two output ports providing space for 96 fiber splices. There are four standard 24-fiber splice trays stacked together inside the fiber optic splice closure.



Vertical Type Fiber Optic Closure

Vertical fiber optic closure looks like a dome, thus it is also called dome fiber optic splice closure or fiber dome closure. It usually contains one or more fiber splice trays assembled to hold/protect optical fiber splices. The common fiber counts of per splice tray are 6, 12,16 and 24 fibers. So one fiber closure's splice capacity could cover a range of 6-672 Fibers Totally.

They are commonly made of high tensile construction plastic, so they have good adaptability and compression resistance. At the same time, they have good waterproof and dustproof function. If attached to a pole or hung from wiring, these fiber splice closures need to be held firmly in place, to avoid damage from weather and wind. The dome shape makes it easy to be buried in many applications, though it also can be used above-ground as well.

The following shows a vertical type splice closure which has five entries providing up to 24 fiber optic splices in two 12-fiber splice trays. Different from the above one, the internal fiber splice tray here is suitable for the vertical design of the fiber splice closure.



Things you should know before ordering.

1, Horizontal Type or Vertical Type

Check above

2, Inlet /Outlet Cable ports

The number of ports in a fiber optic closure reflects its capacity to handle the number of cables. The cable entrance capacity of a fiber optic splice closure refers to the number of ports available for terminating cable within the closure. The number of ports provided in a closure depends on factors such as the network capacity and the number of cables employed in the network. Usually, in an attempt to reduce the physical size of high-capacity closures, smaller ports shall be utilized for branch cables and drop cables.

3, Splice Capacities

As per fiber optic cables types deployed in the networks, we could calculate how many fibers will be spliced in the closures, then choose how many splice trays, protection sleeves need to pre-assembled.

4, Sealing Method.

According to different installation environment, we should choose the best Sealing method.

Aerial or Pole mount: Mechanical Sealing

Buried : Heat shrink Sealing

Shaft, Man hole, Duct: Heat shrink Sealing + Mechanical Sealing

5. Bonding & Grounding

Proper bonding and grounding of conductive elements of the optical network shall be provided for the safe deployment and operation of the network.

6. Hardware and Accessories

Aerial fiber optic closures may need to hang on the messenger wire depending on the network configuration. Or they may be attached to the pole. In both cases, extra hardware is required along with the closures. The hardware or accessories to attach and secure should be able to bear wear and tear and also environmental stresses.

Fiber Optic Splice Closure DOME: GJS-H001

Half design with mechanical sealing structure .
 High quality industrial plastic body material
 6 round holes for cable entrance,,3 in 3 out.
 Suitable for cable diameter 7mm-16.5mm
 Support aerial,underground,pipeline,man holes,hand holes
 Protection level reaches IP68
 Replaceable high quality rubber seal for repeatedly opening.
 Maximum capacity: 96 fibers.
 Number of splice trays: 4 pcs x 24F



Configuration

Material	Size	Max Capacity		Cable Entrance	Sealing Mechanism	Weight	Color
		Splice Cores	Trays				
Polycarbonate (Strengthen PC)	L*W*H(mm) 390*210*120	96 Cores	Trays 12F/24F	6 portsx16.5mm 3 in 3 out	Mechanical sealing with thermoplastic rubber	2.1kg	Black

Fiber Optic Splice Closure DOME: GJS-H002

Hinge design with mechanical sealing structure .
 High quality industrial plastic body material
 6 round holes for cable entrance,,3 in 3 out.
 Suitable for cable diameter 8mm-20mm
 Support aerial,underground,pipeline,man holes,hand holes
 Protection level reaches IP68
 Replaceable high quality rubber seal for repeatedly opening.
 Maximum capacity: 96 fibers.
 Number of splice trays: 4 pcs x 24F



Configuration

Material	Size	Max Capacity		Cable Entrance	Sealing Mechanism	Weight	Color
		Splice Cores	Trays				
Polycarbonate (Strengthen PC)	L*W*H(mm) 320*210*85	96 Cores	Trays 12F/24F	6 portsx20mm 3 in 3 out	Mechanical sealing with thermoplastic rubber	2.8kg	Black

Fiber Optic Splice Closure DOME: GJS-H003

Hinge design with mechanical sealing structure .
 High quality industrial plastic body material
 2 round holes for cable entrance,,1 in 1 out.
 Suitable for cable diameter 8mm-14mm
 Support aerial,underground,pipeline,man holes,hand holes
 Protection level reaches IP68
 Replaceable high quality rubber seal for repeatedly opening.
 Maximum capacity: 96 fibers.
 Number of splice trays: 4 pcs x 24F



Configuration

Material	Size	Max Capacity		Cable Entrance	Sealing Mechanism	Weight	Color
		Splice Cores	Trays				
Polycarbonate (Strengthen PC)	L*W*H(mm) 280*200*90	96 Cores	Trays 6F/12F	2 portsx16.5mm 1 in 1 out	Mechanical sealing with thermoplastic rubber	1.5kg	Black

Fiber Optic Splice Closure DOME: GJS-H004

Half design with mechanical sealing structure .
 High quality industrial plastic body material
 6 round holes for cable entrance,,3 in 3 out.
 Suitable for cable diameter 8mm-20mm
 Support aerial,underground,pipeline,man holes,hand holes
 Protection level reaches IP68
 Replaceable high quality rubber seal for repeatedly opening.
 Maximum capacity: 96 fibers.
 Number of splice trays: 4 pcs x 24F

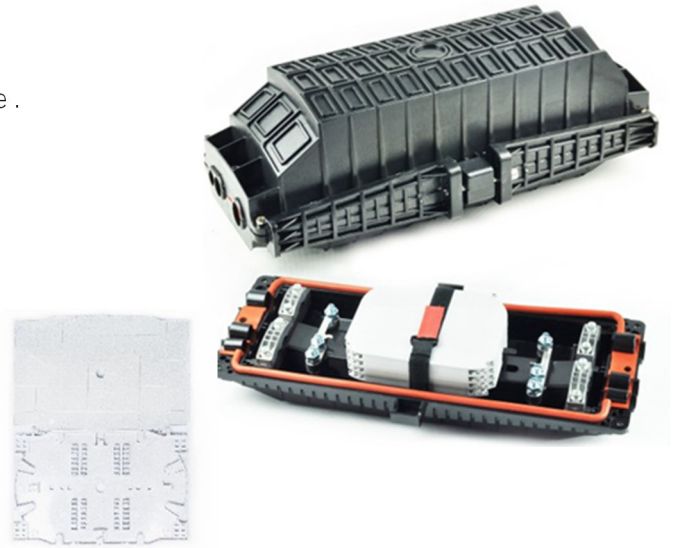


Configuration

Material	Size	Max Capacity		Cable Entrance	Sealing Mechanism	Weight	Color
		Splice Cores	Trays				
Polycarbonate (Strengthen PC)	L*W*H(mm) 450*220*110	96 Cores	Trays 12F/24F	6 ports x20mm 3 in 3 out	Mechanical sealing with thermoplastic rubber	3.2kg	Black

Fiber Optic Splice Closure DOME: GJS-H005

Strengthen solid Half design with mechanical sealing structure .
 High quality industrial plastic body material
 6 round holes for cable entrance,,3 in 3 out.
 Suitable for cable diameter 7mm-23mm
 Support aerial,underground,pipeline,man holes,hand holes
 Protection level reaches IP68
 Replaceable high quality rubber seal for repeatedly opening.
 Maximum capacity: 288 fibers.
 Number of splice trays: 12pcs x 24F

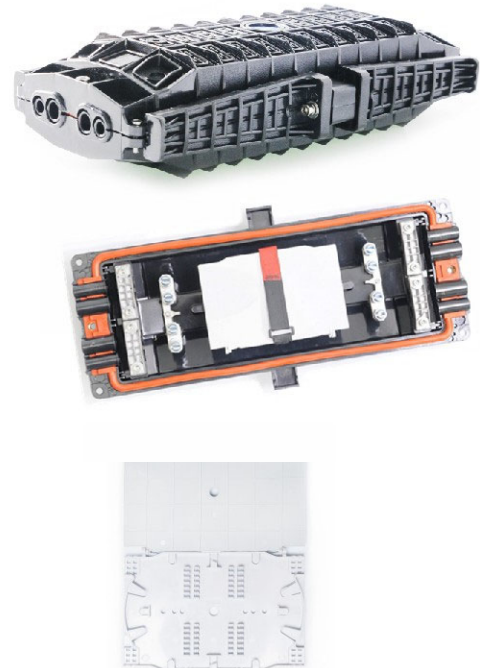


Configuration

Material	Size	Max Capacity		Cable Entrance	Sealing Mechanism	Weight	Color
		Splice Cores	Trays				
Polycarbonate (Strengthen PC)	L*W*H(mm) 450*220*160	288Cores	Trays 12F/24F	6 portsx16.5mm 3 in 3 out	Mechanical sealing with thermoplastic rubber	3.8Kg	Black

Fiber Optic Splice Closure DOME: GJS-H007

Half design with mechanical sealing structure .
 High quality industrial plastic body material
 8 round holes for cable entrance,,4 in 4 out.
 Suitable for cable diameter 7mm-20mm
 Support aerial,underground,pipeline,man holes,hand holes
 Protection level reaches IP68
 Replaceable high quality rubber seal for repeatedly opening.
 Maximum capacity: 96 fibers.
 Number of splice trays: 4 pcs x 24F



Configuration

Material	Size	Max Capacity		Cable Entrance	Sealing Mechanism	Weight	Color
		Splice Cores	Trays				
Polycarbonate (Strengthen PC)	L*W*H(mm) 450*220*110	96 Cores	Trays 12F/24F	8 portsx20mm 4 in 4 out	Mechanical sealing with thermoplastic rubber	3.3kg	Black

Fiber Optic Splice Closure DOME: GJS-H008

Hinge design with mechanical sealing structure .
 High quality industrial plastic body material
 6 round holes for cable entrance,,3 in 3 out.
 Suitable for cable diameter 7mm-20mm
 Support aerial,underground,pipeline,man holes,hand holes
 Protection level reaches IP68
 Replaceable high quality rubber seal for repeatedly opening.
 Maximum capacity: 96 fibers.
 Number of splice trays: 4 pcs x 24F


Configuration

Material	Size	Max Capacity		Cable Entrance	Sealing Mechanism	Weight	Color
Polycarbonate (Strengthen PC)	L*W*H(mm) 395*195*130	Splice Cores 96 Cores	Trays 12F/24F	6 portsx16.5mm 3 in 3 out	Mechanical sealing with thermoplastic rubber	2.7kg	Black

Fiber Optic Splice Closure DOME: GJS-H009

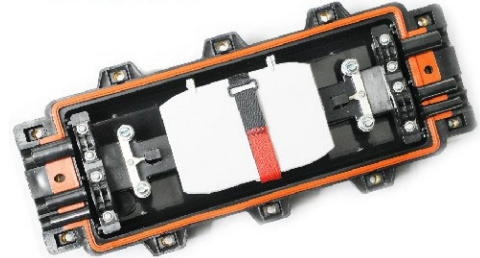
Half design with mechanical sealing structure .
 High quality industrial plastic body material
 6 round holes for cable entrance,,3 in 3 out.
 Suitable for cable diameter 8mm-20mm
 Support aerial,underground,pipeline,man holes,hand holes
 Protection level reaches IP68
 Replaceable high quality rubber seal for repeatedly opening.
 Maximum capacity: 144 fibers.
 Number of splice trays: 6 pcs x 24F


Configuration

Material	Size	Max Capacity		Cable Entrance	Sealing Mechanism	Weight	Color
Polycarbonate (Strengthen PC)	L*W*H(mm) 470*180*125	Splice Cores 144 Cores	Trays 12F/24F	6 portsx20mm 3 in 3 out	Mechanical sealing with thermoplastic rubber	2.9kg	Black

Fiber Optic Splice Closure DOME: GJS-H010

Half design with mechanical sealing structure .
 High quality industrial plastic body material
 6 round holes for cable entrance,,3 in 3 out.
 Suitable for cable diameter 8mm-20mm
 Support aerial,underground,pipeline,man holes,hand holes
 Protection level reaches IP68
 Replaceable high quality rubber seal for repeatedly opening.
 Maximum capacity: 96 fibers.
 Number of splice trays: 4 pcs x 24F



Configuration

Material	Size	Max Capacity		Cable Entrance	Sealing Mechanism	Weight	Color
Polycarbonate (Strengthen PC)	L*W*H(mm) 396*200*125	Splice Cores 96 Cores	Trays 12F/24F	6 portsx20mm 3 in 3 out	Mechanical sealing with thermoplastic rubber	2.8kg	Black

Fiber Optic Splice Closure DOME: GJS-H011

H design with mechanical sealing structure .
 High quality industrial plastic body material
 4 round holes for cable entrance,,2 in 2 out.
 Suitable for cable diameter 8mm-16.5mm
 Support aerial,underground,pipeline,man holes,hand holes
 Protection level reaches IP68
 Replaceable high quality rubber seal for repeatedly opening.
 Maximum capacity: 96 fibers.
 Number of splice trays: 4 pcs x 12F

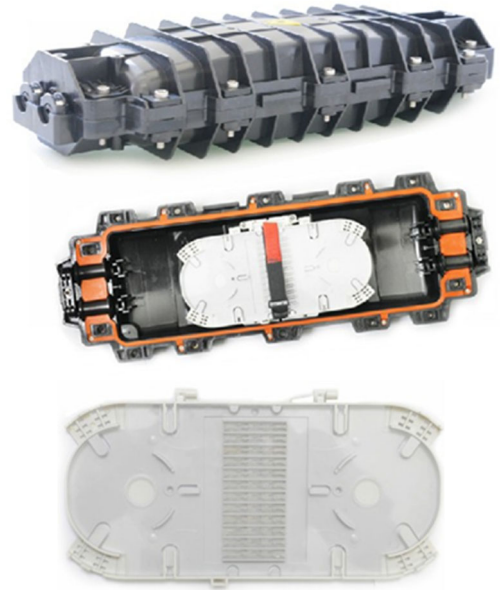


Configuration

Material	Size	Max Capacity		Cable Entrance	Sealing Mechanism	Weight	Color
Polycarbonate (Strengthen PC)	L*W*H(mm) 340*150*70	Splice Cores 48 Cores	Trays 12F/24F	6 portsx16.5mm 3 in 3 out	Mechanical sealing with thermoplastic rubber	2.0kg	Black

Fiber Optic Splice Closure DOME: GJS-H013

Half design with mechanical sealing structure .
 High quality industrial plastic body material
 4 round holes for cable entrance,,2 in 2 out.
 Suitable for cable diameter 8mm-20mm
 Support aerial,underground,pipeline,man holes,hand holes
 Protection level reaches IP68
 Replaceable high quality rubber seal for repeatedly opening.
 Maximum capacity: 144 fibers.
 Number of splice trays: 3 pcs x 48F

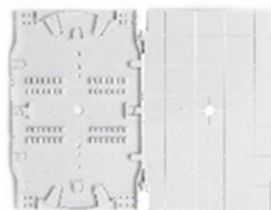


Configuration

Material	Size	Max Capacity		Cable Entrance	Sealing Mechanism	Weight	Color
		Splice Cores	Trays				
Polycarbonate (Strengthen PC)	L*W*H(mm) 605*215*120	144 Cores	Trays 24F/48F	4 portsx20mm 2 in 2 out	Mechanical sealing with thermoplastic rubber	4.6kg	Black

Fiber Optic Splice Closure DOME: GJS-H015

Half design with mechanical sealing structure .
 High quality industrial plastic body material
 4 round holes for cable entrance,,2 in 2 out.
 Suitable for cable diameter 8mm-20mm
 Support aerial,underground,pipeline,man holes,hand holes
 Protection level reaches IP68
 Replaceable high quality rubber seal for repeatedly opening.
 Maximum capacity: 96 fibers.
 Number of splice trays: 4 pcs x 24F

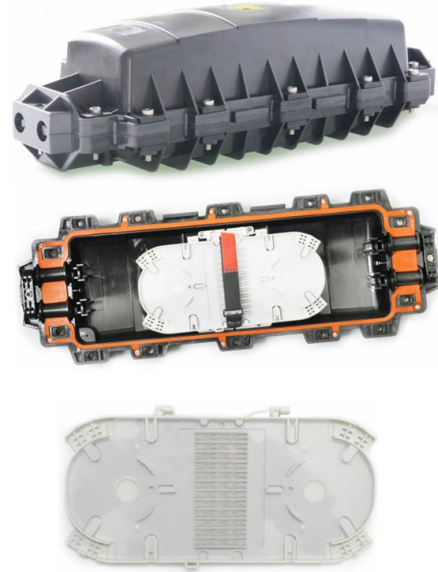


Configuration

Material	Size	Max Capacity		Cable Entrance	Sealing Mechanism	Weight	Color
		Splice Cores	Trays				
Polycarbonate (Strengthen PC)	L*W*H(mm) 460*182*120	96 Cores	Trays 12F/24F	4 portsx20mm 2 in 2 out	Mechanical sealing with thermoplastic rubber	2.5kg	Black

Fiber Optic Splice Closure DOME: GJS-H016

Strengthen Half design with mechanical sealing structure .
 High quality industrial plastic body material
 4 round holes for cable entrance,,2 in 2 out.
 Suitable for cable diameter 8mm-20mm
 Support aerial,underground,pipeline,man holes,hand holes
 Protection level reaches IP68
 Replaceable high quality rubber seal for repeatedly opening.
 Maximum capacity: 288 fibers.
 Number of splice trays: 6 pcs x 48F



Configuration

Material	Size	Max Capacity		Cable Entrance	Sealing Mechanism	Weight	Color
		Splice Cores	Trays				
Polycarbonate (Strengthen PC)	L*W*H(mm) 605*215*175	288 Cores	Trays 24F/48F	4 portsx20mm 2 in 2 out	Mechanical sealing with thermoplastic rubber	6.5kg	Black

Fiber Optic Splice Closure DOME: GJS-H018

Strengthen Half design with mechanical sealing structure .
 High quality industrial plastic body material
 4 round holes for cable entrance,,2 in 2 out.
 Suitable for cable diameter 8mm-16.5mm
 Support aerial,underground,pipeline,man holes,hand holes
 Protection level reaches IP68
 Replaceable high quality rubber seal for repeatedly opening.
 Maximum capacity: 96 fibers.
 Number of splice trays: 4 pcs x 24F



Configuration

Material	Size	Max Capacity		Cable Entrance	Sealing Mechanism	Weight	Color
		Splice Cores	Trays				
Polycarbonate (Strengthen PC)	L*W*H(mm) 413*160*88	96 Cores	Trays 12F/24F	4 portsx16.5mm 2 in 2 out	Mechanical sealing with thermoplastic rubber	2.1kg	Black

Fiber Optic Splice Closure DOME: GJS-H019

Half design with mechanical sealing structure .
 High quality industrial plastic body material
 4 round holes for cable entrance,,2 in 2 out.
 Suitable for cable diameter 8mm-23mm
 Support aerial,underground,pipeline,man holes,hand holes
 Protection level reaches IP68
 Replaceable high quality rubber seal for repeatedly opening.
 Maximum capacity: 144 fibers.
 Number of splice trays: 6 pcs x 24F

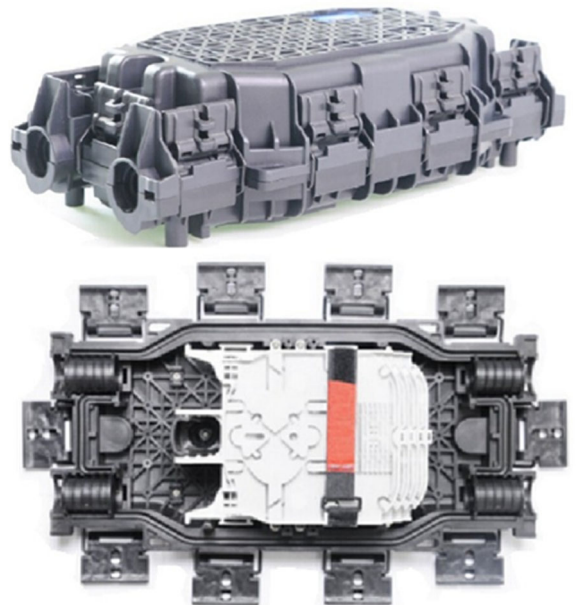


Configuration

Material	Size	Max Capacity		Cable Entrance	Sealing Mechanism	Weight	Color
		Splice Cores	Trays				
Polycarbonate (Strengthen PC)	L*W*H(mm) 465*195*125	144 Cores	Trays 12F/24F	4 portsx23mm 2 in 2 out	Mechanical sealing with thermoplastic rubber	3.4kg	Black

Fiber Optic Splice Closure DOME: GJS-H020

Boltless Half design with mechanical sealing structure .
 High quality industrial plastic body material
 4 round holes for cable entrance,,2 in 2 out.
 Suitable for cable diameter 8mm-20mm
 Support aerial,underground,pipeline,man holes,hand holes
 Protection level reaches IP68
 Replaceable high quality rubber seal for repeatedly opening.
 Maximum capacity: 96 fibers.
 Number of splice trays: 4 pcs x 24F



Configuration

Material	Size	Max Capacity		Cable Entrance	Sealing Mechanism	Weight	Color
		Splice Cores	Trays				
Strengthen Pol- ymer Plastic	L*W*H(mm) 370*178*106	96 Cores	Trays 24F	4 portsx20mm 2 in 2 out	Mechanical sealing with thermoplastic rubber	2.3kg	Black

Fiber Optic Splice Closure DOME : GJS (04) 5C-12

Mechanical sealing structure.
 High quality industrial plastic body material
 4 round holes for cable entrance
 Suitable for cable diameter 5mm-15mm
 Support aerial, underground, pipeline, man holes, hand holes
 Protection level reaches IP68
 360 degrees access, fiber bending > 40mm
 Maximum capacity: 12 fibers.
 Number of splice trays: 1 pc x 12F



Configuration

Material	Size	Max Capacity		Cable Entrance	Sealing Mechanism	Color
PC+ABS	H*D (mm) 200*220*43	Splice Cores 12 Cores	Trays 1x12F	2 in 2 out	Mechanical Seal	Black

Fiber Optic Splice Closure DOME : GJS (04) 5D-12

Mechanical sealing structure
 High quality industrial plastic body material
 4 round holes for cable entrance
 Suitable for cable diameter 5mm-15mm
 Support aerial, underground, pipeline, man holes, hand holes
 Protection level reaches IP68
 360 degrees access, fiber bending > 40mm
 Maximum capacity: 12fibers.
 Number of splice trays: 1 pc x 12F



Configuration

Material	Size	Max Capacity		Cable Entrance	Sealing Mechanism	Color
PC+ABS	H*D (mm) 248*150*30	Splice Cores 12 Cores	Trays 1x12F	2 in 2 out	Mechanical Seal	Black

Fiber Optic Splice Closure DOME : AFAT-001

The closure casing is made of industrial plastic PC+ABS

Integrated with splitter cassette and adaptor for patching

Vulcanized Silicone Rubber Seal, Protection grade:IP66.

Easy to maintain and extend the capacity.

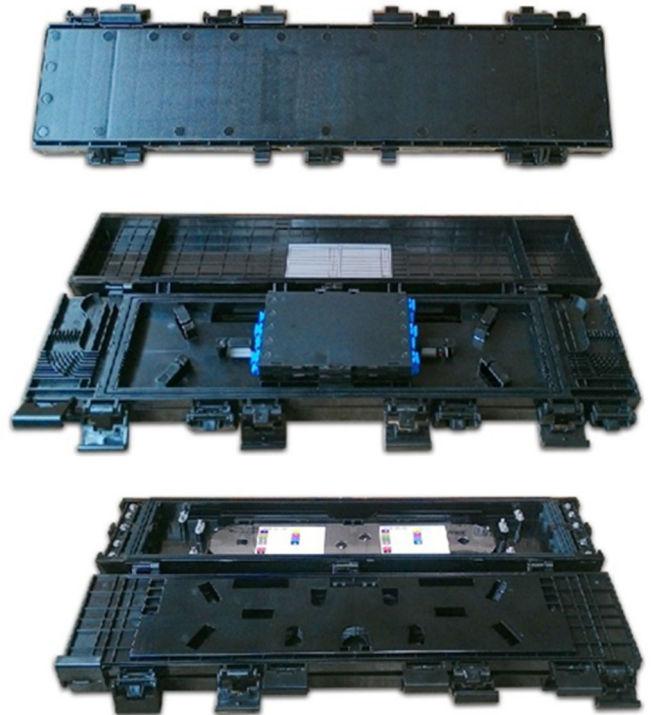
Two tier construction, bottom for splicing,top for splitting

Strengthen buckle design for the easy access of aerial closure.

2 pcs of 1*8 Splitter can be installed as an option

Special bolt and key to prevent unauthorized access to closure

2 ports left and 2 ports right for aerial messenger cable fixation and drop cable entrance (maximum support 16 pcs of drop cable)



Configuration

Material	Size	Splice	Pigtail	Fiber Adapter	PLC Splitter Cassette	Weight	Color
PC+ABS	L*W*H(mm) 605*160*87	Max Capacity 26 Cores	AFAT-001-08=1pcs	SC x 9pcs	1 x 1:8 Steel Tube Splitter	3.0kgs	Black
			AFAT-001-16=2pcs	SC x 18pcs	2 x 1:8 Steel Tube Splitter	3.5kgs	