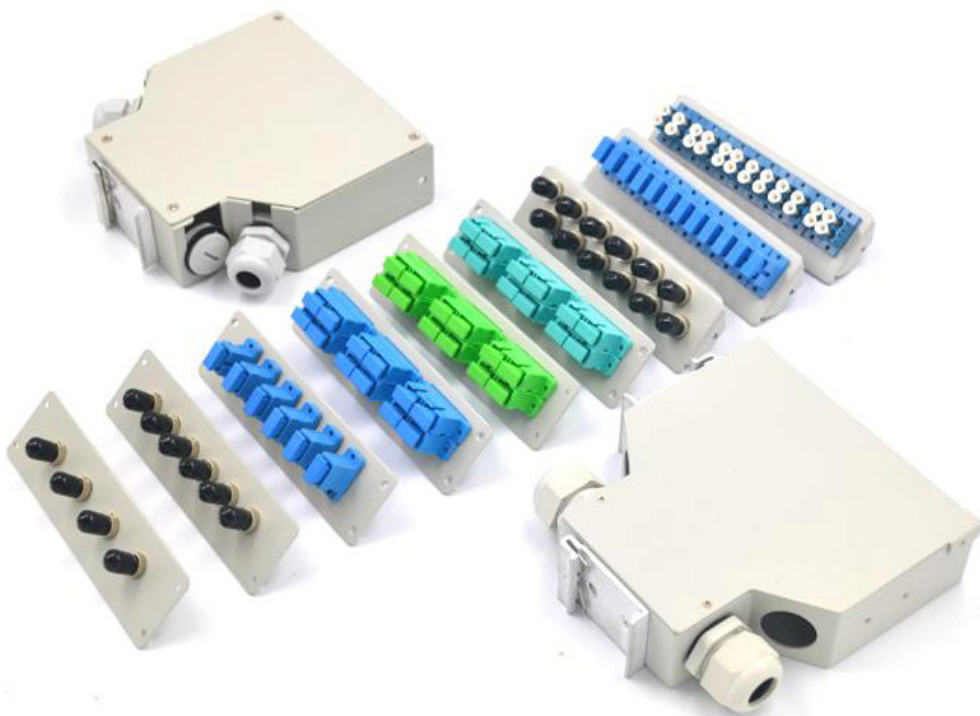


# DATASHEET

## Din Rail Splice&Connection Box

For FTTH, PON system

---



RoHS

---



OMC INDUSTRY CO.LIMITED

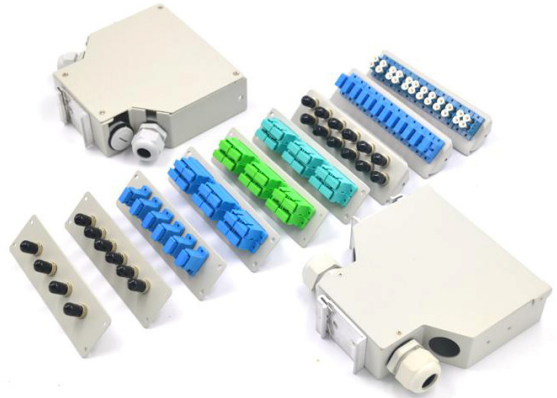


### Description

Din Rail Splice box is metal box special designed to be snapped on din rail, DIN RAIL fiber box accepts one modular panel making it ideal for smaller fiber count applications of up to 24 fibers. This compact enclosure makes it possible to direct terminations or fusion splices in much smaller protected areas.

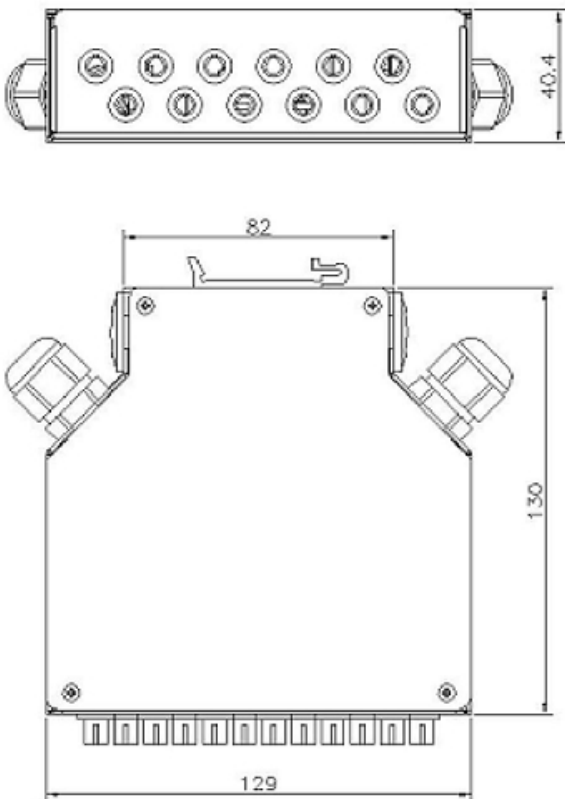
### Products Detail

- Cold-roll steel, electrostatic painting
- 2pcs cable entry/exit ports; 12pcs pigtail entry/exit ports
- Max. 12pcs adapters can be loaded
- Integrated splice holders (fusion splices)
- Rear or aside DIN rail fixation
- 2x rear entries (**PG 13.5 cable gland**)
- Grey color (RAL 7035)



Part No.	Dimension(mm)	Max capacity cores	Fiber Ports
DRCB-xxxx	130 129x 40.4(1U)	24	FC, SC, ST, LC ...
DRCC-xxxx	130x 129x 70 (1.5U)	48	FC, SC, ST, LC ...

### Drawing:





## Din Rail Splice&Connection Box

### Application:

Suitable for Pigtail, ribbon and bunch cable connect distribution  
 Used for Din Rail mounted applications  
 Used in FTTH, Telecommunications, CATV etc.



### Order Index:

Products	Fiber port	Port Qty	Fiber mode	Load	
DRCB-1U Din Rail Splice Box	1- LC DX	04- 4 ports	0- Empty box	0-Empty Box	
DRCC-1.5U Din Rail Splice Box	2- LC Quad	06-6 ports	1- G657A1	1- Loaded with pigtail and adapter	
	3- SC SX	08-8 ports	2-G657A2/B2	2-Loaded with adapter	
	4- SC DX	12-12ports	3-G657B3		
	5- FC Square	16-16 ports	4-BIF OM1		
	6- FC D hole	24-24 ports	5-BIF OM2		
	7-ST D hole			6-BIF OM3	
				7-BIF OM4	
			8-BIF OM5		